

Wash and dry unit All-in-One, washbasin



Mounted on the washbasin

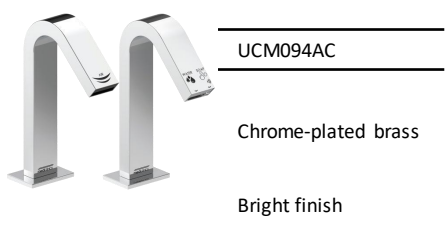
Hand dryer tap + soap and water tap

OVERVIEW

- Integrated hand washing and drying unit, consisting of a hand dryer tap and a tap that dispenses water and soap, both automatic and with a gooseneck design.
- It can be installed on a sink or countertop and is designed to function as a fully integrated, touch-free system.

TECHNICAL DATA

Voltage	220 – 240 V
Frequency	50/60 Hz



COMPONENTS AND MATERIALS

- **Automatic hand dryer tap M094AC/M094AB:** see corresponding technical data sheet.
- **Automatic water and soap tap GAJ002AC/GAJ002AB:** see corresponding technical data sheet.

DIMENSIONS

- **Automatic hand dryer tap M094AC/M094AB:** see corresponding technical data sheet.
- **Automatic water and soap tap GAJ002AC/GAJ002AB:** see corresponding technical data sheet.

OPERATION

- Automatic operation using an infrared sensor with adjustable detection range.

PVD COATING AVAILABLE (consult us)



Mediclinics S.A. reserves the right to make changes or modifications to the products and their specifications without prior notice.



Wash and dry unit All-in-One, washbasin

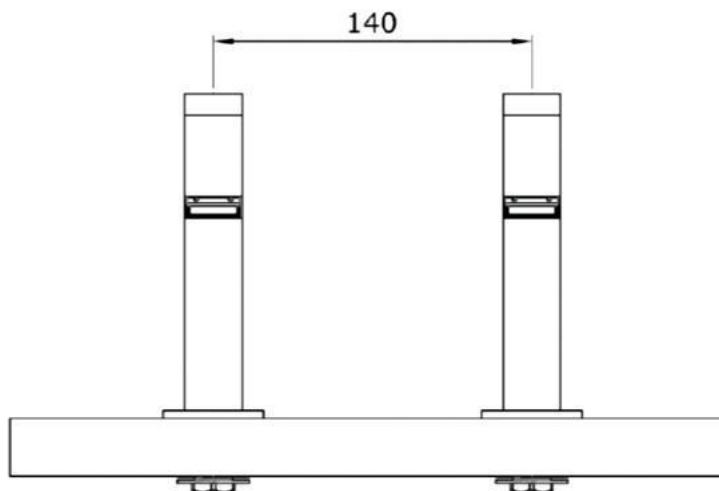


GUIDE SPECIFICATION

Integrated handwashing and drying unit to be mounted on the sink, it shall be composed of two elements: a hand dryer faucet and a combined water and soap faucet. Both faucets shall be made of brass and shall be available in chrome-plated or black, and various PVD finishes. The automatic water and soap faucet shall be equipped with two infrared sensors in different positions: the upper-right sensor shall dispense soap, and the sensor located above the water outlet shall activate the water flow. The faucet shall operate at a frequency of 50/60 Hz and a voltage of 220–240 V, or alternatively on 4x LR6 1,5 V batteries. The water flow rate shall be 5,7 L/min. The soap tank shall have a capacity of 1,50 L. Soap viscosity shall range from 100 to 3.500 cps. The soap dispensing volume shall be adjustable to 0,5; 1,0; 1,5 or 2,0 mL per dose. Motion detection distance shall be adjustable via magnet between 5 and 25 cm. The unit shall comply with WRAS certification requirements. The automatic hand dryer faucet shall be equipped with an infrared sensor located above the air outlet. The unit shall weigh 5,10 kg. The housing shall be made of AISI 304 stainless steel with satin finish and shall have a thickness of 1,5 mm. The dryer shall be equipped with a brushed Class F motor, with an adjustable speed range between 19.000 and 30.000 rpm and a motor power of 420–1.100 W. A heating element with on/off switch and 400 W of power shall be included. The unit shall operate at a frequency of 50/60 Hz and a voltage of 220–240 V, with a total power range of 420–1.500 W and a current consumption of 3,2 to 6,4 A. Drying time shall be between 10 and 15 seconds, with an airspeed of 191–325 km/h. A HEPA filter and an ionizer shall be optionally available. A plug-in system shall be optionally available. The unit shall comply with applicable standards for hand dryers (EN 60335-1, EN 60335-2-23, EN 61000-3-2, and EN 61000-3-3).

ASSEMBLY / RECOMMENDED INSTALLATION HEIGHTS

A sink that allows the installation of the All-in-One unit, as shown in the following figure, must be used:



The sink must have a depth of at least 120 mm, with vertical walls and edges that are not excessively rounded to prevent splashing.

The reservoir must be located below the soap outlet.

CERTIFICATIONS

(* CB Scheme, GS and EMC certifications are only valid for the hand dryer tap.



Electromagnetic
Compatibility
Regular Production
Surveillance



Mediclinics S.A. reserves the right to make changes or modifications to the products and their specifications without prior notice.

